

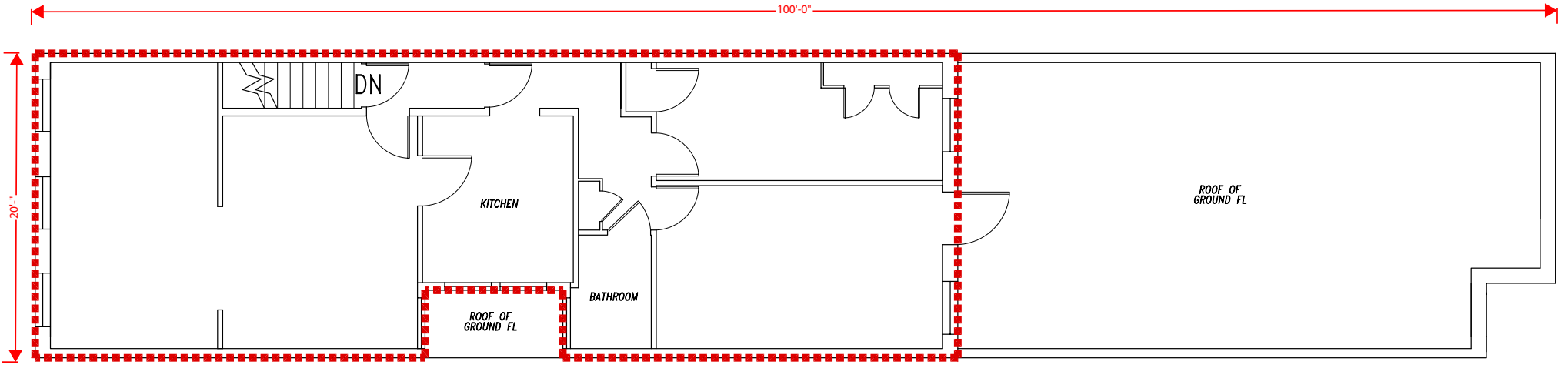


**FIRST FLOOR**  
SCALE: N.T.S

THIS EXHIBIT IS PROVIDED FOR ILLUSTRATIVE PURPOSES ONLY, AND SHALL NOT BE DEEMED TO BE A WARRANTY, REPRESENTATION OR AGREEMENT BY LANDLORD THAT THE CENTER COMMON AREAS BUILDINGS AND/OR EXHIBIT WILL BE AS ILLUSTRATED ON THIS EXHIBIT, OR THAT ANY TENANTS, WHICH MAY BE REFERENCED ON THIS EXHIBIT, WILL AT ANY TIME, BE OCCUPANTS OF THE CENTER. LANDLORD RESERVES THE RIGHT TO MODIFY SIZE, CONFIGURATION AND OCCUPANTS OF THE CENTER AT ANY TIME.

 <b>463 86th Street</b>	<b>EX</b>	463 86th Street
---	-----------	-----------------

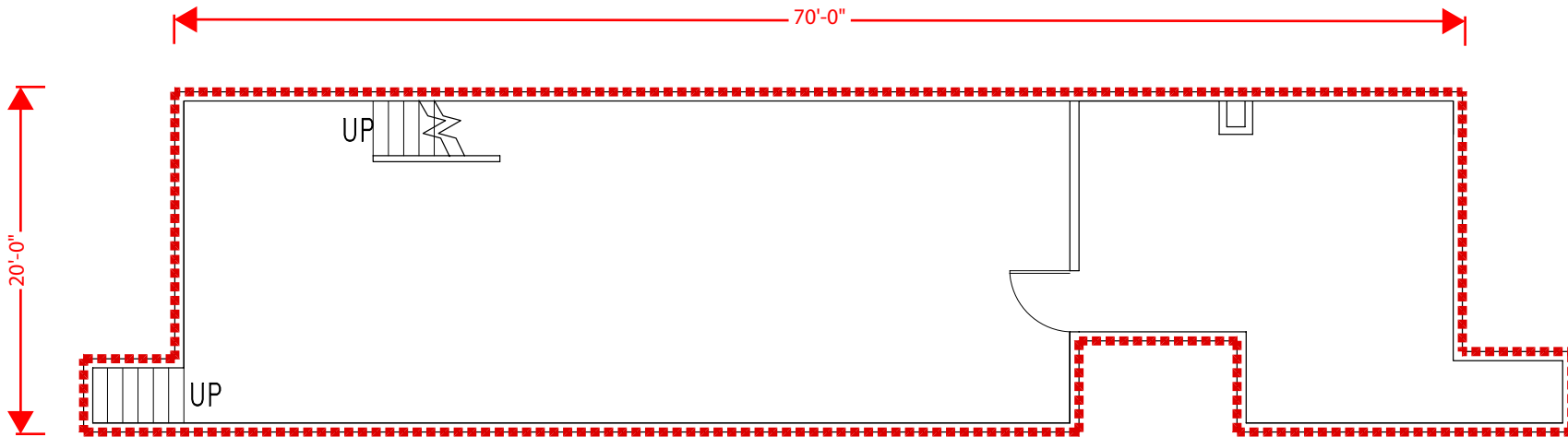
463 86th Street  
BROOKLYN, NY 11209



 **SECOND FLOOR**  
SCALE: N.T.S

THIS EXHIBIT IS PROVIDED FOR ILLUSTRATIVE PURPOSES ONLY, AND SHALL NOT BE DEEMED TO BE A WARRANTY, REPRESENTATION OR AGREEMENT BY LANDLORD THAT THE CENTER COMMON AREAS BUILDINGS AND/OR EXHIBIT WILL BE AS ILLUSTRATED ON THIS EXHIBIT, OR THAT ANY TENANTS, WHICH MAY BE REFERENCED ON THIS EXHIBIT, WILL AT ANY TIME BE OCCUPANTS OF THE CENTER. LANDLORD RESERVES THE RIGHT TO MODIFY SIZE, CONFIGURATION AND OCCUPANTS OF THE CENTER AT ANY TIME.

	<p>463 86th Street</p>	<p>EX</p>	<p>463 86th Street</p>
<p>463 86th Street BROOKLYN, NY 11209</p>			



**LOWER LEVEL**  
SCALE: N.T.S

THIS EXHIBIT IS PROVIDED FOR ILLUSTRATIVE PURPOSES ONLY, AND SHALL NOT BE DEEMED TO BE A WARRANTY, REPRESENTATION OR AGREEMENT BY LANDLORD THAT THE CENTER COMMON AREAS BUILDINGS AND/OR EXHIBIT WILL BE AS ILLUSTRATED ON THIS EXHIBIT, OR THAT ANY TENANTS, WHICH MAY BE REFERENCED ON THIS EXHIBIT, WILL AT ANY TIME, BE OCCUPANTS OF THE CENTER. LANDLORD RESERVES THE RIGHT TO MODIFY SIZE, CONFIGURATION AND OCCUPANTS OF THE CENTER AT ANY TIME.

 <b>463 86th Street</b> <small>463 86th Street BROOKLYN, NY 11209</small>	<b>EX</b>	463 86th Street
--	-----------	-----------------